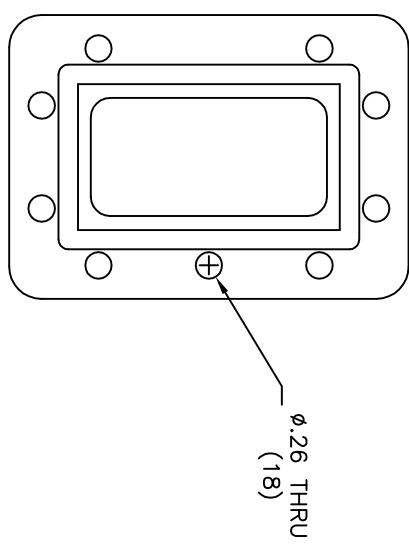
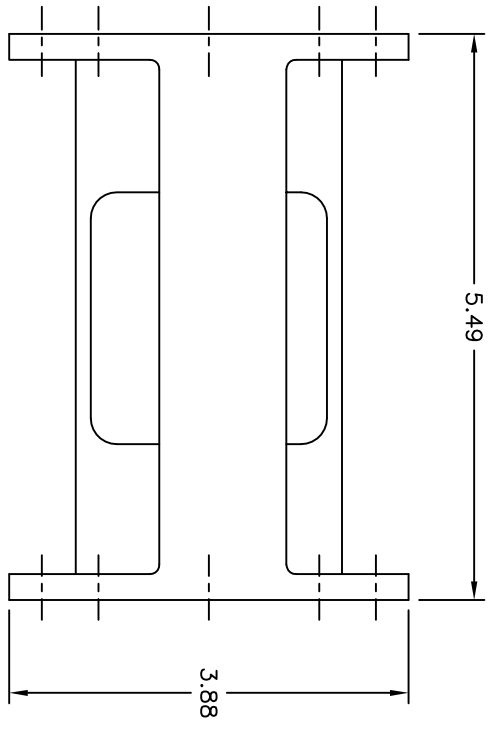


THIS DRAWING IS A SOURCE CONTROL DRAWING AND IS PROPRIETARY TO MICROWAVE FILTER CO., INC. AND MAY NOT BE DUPLICATED OR DISTRIBUTED WITHOUT WRITTEN PERMISSION OF MICROWAVE FILTER CO., INC. THIS DRAWING ALSO DESCRIBES TRADE SECRETS AND IS THE EXCLUSIVE PROPERTY OF MICROWAVE FILTER CO., INC.

REVISION			
LTR	ECN	DATE	APP'D
-	4951	2/18/18	MW

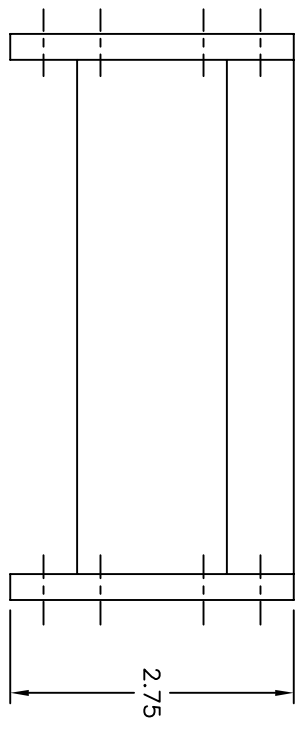


SPECIFICATIONS


PASSBAND: 3.625 TO 4.2 GHz
 INSERTION LOSS: 0.5 DB APPROX. @ Fo
 0.5 DB APPROX. ROLL OFF @ BAND EDGES
 VSWR: 1.5:1 TYP
 GROUP DELAY VARIATION: 8 ns MAX

REJECTION	FREQUENCY
45 DB MIN	3.575, 4.275 GHz
55 DB TYP	3.475, 4.375 GHz
70 DB TYP	3.425, 4.425 GHz

FLANGES: CPR229G (INPUT)
 CPR229F (OUTPUT)
 HALF GASKET SUPPLIED WITH EACH UNIT
 WEIGHT: 1.125 lbs APPROX.



ENVELOPE DRAWING

 <small>MICROWAVE FILTER CO. INC. 6749 KINGS ST., SYRACUSE, NY, 13667</small>		FSCM27834	
DATE	2/20/18	TITLE	BANDPASS FILTER
DWN BY	MW	ENGINEER	P.M.
DRAWING NO.	13961W-1-3625/4200	REV	-

UNLESS SPECIFIED
 ALL TOLERANCES ±.060